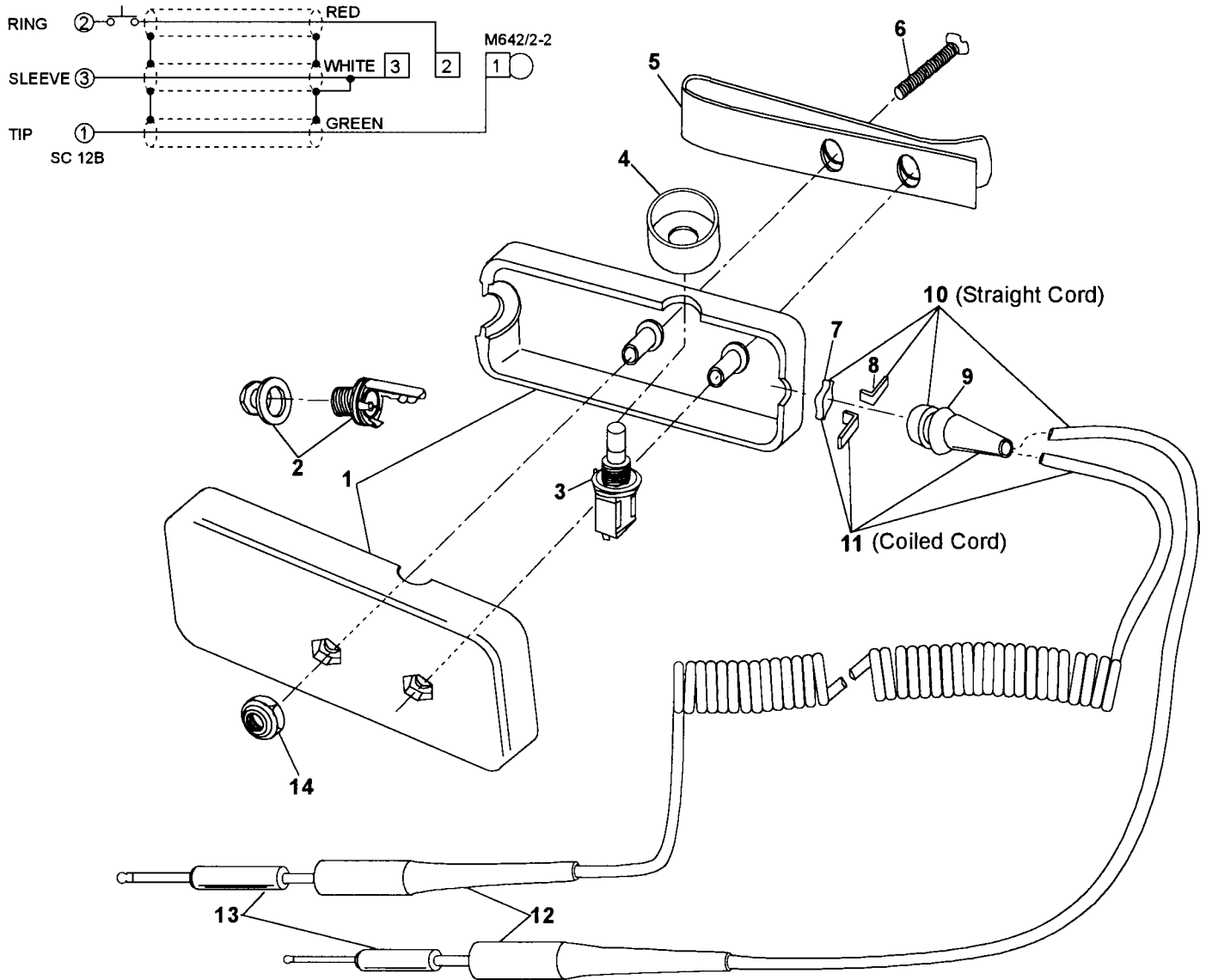


David Clark COMPANY
INCORPORATED

360 FRANKLIN STREET, BOX 15054, WORCESTER, MA 01815-0054
TEL. 508-753-5827 E-MAIL Sales@DavidClark.com FAX 508-753-5827

PARTS LIST
MODELS C35-08
C35-16
C35-26
C35-30



No.	Description	Part No.
1	Case (C35-08)	10815G-17
	Case (C35-16)	10815G-12
	Case (C35-26)	10815G-08
	Case (C35-30)	10815G-09
2	Connector 12B	09228P-03
3	Switch	26619P-13
4	Switch Guard	26553P-01
5	Belt Clip	15368P-01
6	Screw (10/pk)	18900G-02
7	Circle Clamp (10/pk)	24433P-14

No.	Description	Part No.
8	Anti-rotation Tab	14176P-02
9	Grommet	14889P-01
10	Comm Cord Kit (C35-16)	18028G-54
10	Comm Cord Kit (C35-30)	18028G-46
11	Comm Cord Kit (C35-26)	18028G-49
11	Comm Cord Kit (C35-08)	18028G-98
12	Bend Relief Sleeve	17836P-03
13	Connector M642/2-2	17195P-01
14	Nut (10/pk)	18900G-03